



DUO DOUBLE + COMPACT-M

Parrilla Double + Mibrasa Oven



FEATURES

The Mibrasa DUO is an integral solution for restaurants that want to maximize their cooking production with the best possible execution and result.

In one sole unit, the DUO is made up of two Mibrasa grilling machines: Charcoal oven and Parrilla; a synergy that guarantees chefs absolute control through an agile workspace that in turn speeds up cooking processes.

Each Mibrasa grilling machine features unique characteristics that enable different cooking processes. This combination allows us to work with all simultaneously and as a result maximizes the capacity for creation.

Ref. DUOGMB130_HMB110

INCLUDED ACCESSORIES

Oven Compact-M (HMB 110)

- Grill/s [GT110]
- Firebreak-dissipating filter [FB-DF]
- Mibrasa tongs [TG]
- Grill brush [CEP]
- Ash shovel [PALA]
- Poker [PK110]

Parrilla Double (GMB 130)

- Rod grill [CPV-130/160F]
- Ember [PK160]
- Mibrasa tongs [TG]
- Grill brush [CEP]
- Ash shovel [PALA]

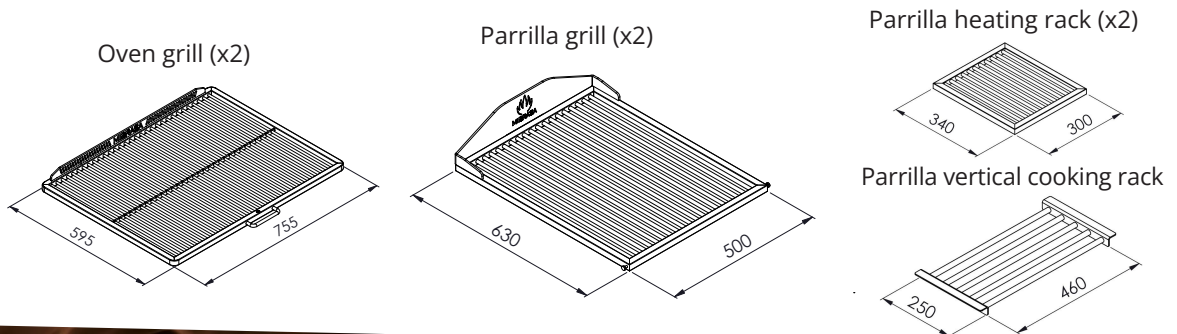
RECOMENDED ACCESSORIES

- Espero kit [KITESPGMB130]
- Gastronorm kit [SGN130]
- Spiedo GMB 130 DUO [SPIEDO130-DUO]

TECHNICAL INFORMATION	Parrilla Double (GMB 130)	Oven Compact-M (HMB 110)
Fire up time*	30 min-average	45 min-average
Cooking temperature	250 °C	250 - 350 °C
Covers per service*	NA	110 - 130
Cooking surface area	2x 500 x 630 mm	755 x 595 mm
Grill height range	350 mm	NA
Initial charcoal load ¹	12 kg	15 kg
Charcoal load duration ²	5 h	8 h
Equivalent power*	4,8 kW	5 kW
Exhaust rate	4300 m3/h	3200 m3/h
Net weight	919 kg	
Crated weight	1100 kg	
Crated dimensions (WxDxH)	2370 x 1060 x 2000 mm	

*Approximate data 1. Consult instruction manual 2. Will vary depending on quality of charcoal

SURFACE DIMENSIONS



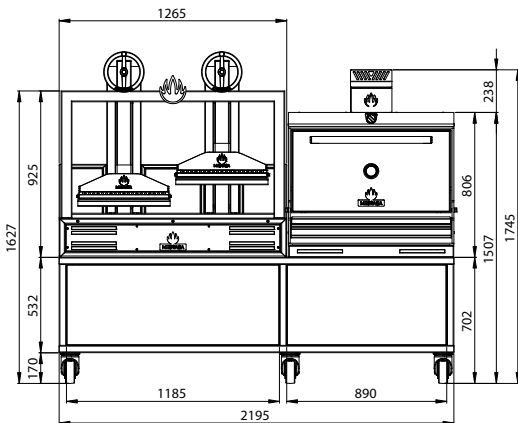
QUALITY GUARANTEE



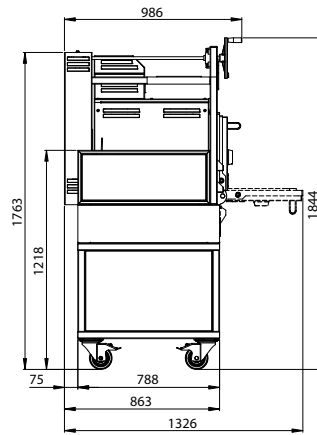
Rev. 1/25

Mibrasa® Charcoal Ovens S.L.
C/Joan Rovira i Bastons, 26
17230 Palamós - Spain
+34 972 601 942 - mibrasa@mibrasa.com
www.mibrasa.com

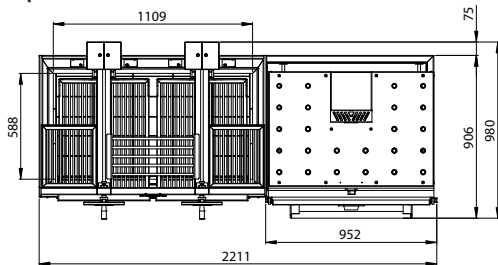
Front view



Side view



Top view



Dimensions in mm

Revit drawings available on request at mibrasa@mibrasa.com

CUSTOMIZATION

COLOR



BLACK



RED



BLUE



YELLOW



STAINLESS
STEEL

EDITION



GOLD



BLACK



COPPER



TITANIUM



SILVER

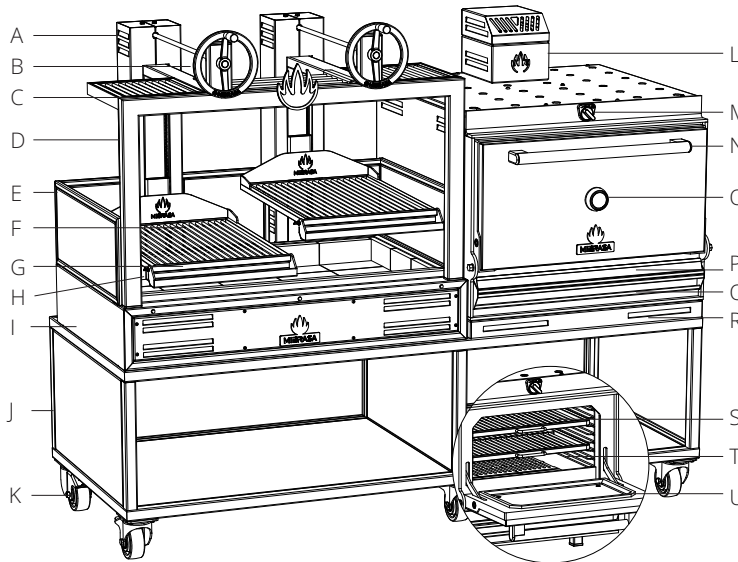


WOOD

The Edition finishes are applied to the logos, crank wheel, door handle and the thermometer casing.

*Only on the door handle (logos and thermometer casing in silver)

PARRILLA MIBRASA	
A	Elevating system
B	Elevating wheel
C	Heating rack
D	Structure
E	Protective structure
F	Grill
G	Grease collector
H	Refractory bricks
I	Main body
J	Stand
K	Swivel casters



OVEN MIBRASA	
L	Firebreak-dissipating filter
M	Regulador tiro superior
N	Upper damper
O	Thermometer
P	Removable grease collector
Q	Lower damper/ash collector
R	Trim base worktop
S	Grills
T	Charcoal grids
U	Door

SAFETY STANDARDS AND INSTALLATION GUIDELINES

Clearances to construction/other appliances from the DUO	76 mm
Clearances of flammable materials from the DUO	300 mm
Clearance of workspace from front of the DUO	1100 mm

Specifications and design are subject to change without notice.